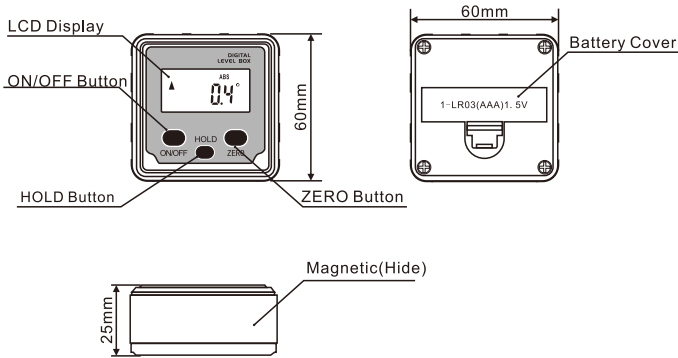
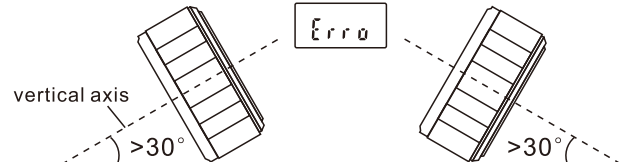


Level Box Instruction Manual



Technical Specifications	
Accuracy	0.2°
Resolution	0.1°
Working Range	2 x 180°
Power Supply	1 x AAA alkaline battery
Working temperature	32°F to 122°F (0°C to 50°C)
Working Humidity	≤85%

LCD SCREEN ICONS	
ABS	Indicates that the level is working in absolute angle mode
-1-	Indicates that the digital level is calibrating for one direction
-2-	Indicates that the digital level is calibrating for another direction
Erro	Warning of the vertical axis deviation



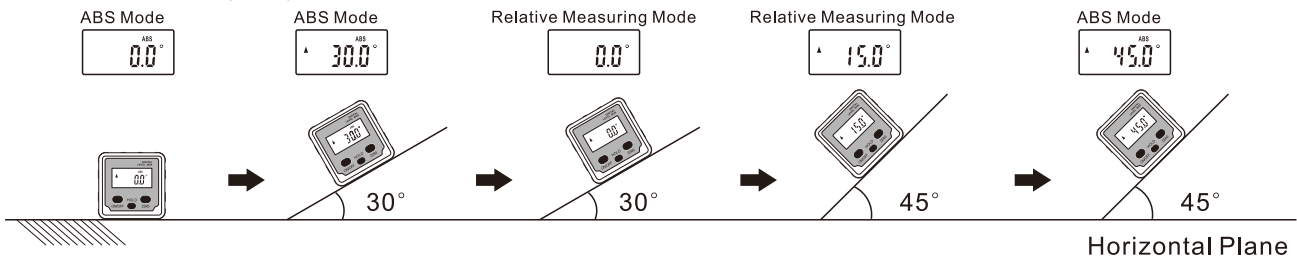
BUTTON FUNCTION

ON/OFF

1. Press the on/off button once to turn the unit on. To turn off the unit, hold the on/off button for 3 seconds. After approximately 5 minutes of no movement or button press, the unit will shut off. To restart the unit, press the on/off button once.

ZERO

1. With the unit on, push the zero button to set the display to zero and to enter the relative measurement mode.
2. In relative measurement mode, the "ABS" symbol on the LCD will disappear.
3. Relative measurement mode allows the operator to measure the difference between two objects. The absolute mode measures the angle between horizontal plane and the first object. (See Diagram Below)
4. To return to (ABS) absolute measurement mode, press the on/off button one time.



HOLD

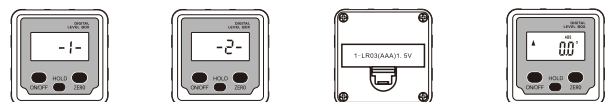
1. Press once to enter the HOLD function and the "HOLD" icon will show, press once again to release hold function.

CALIBRATION(Figs as below)

The digital level has been pre-calibrated at the factory, The product should only be recalibrated if it has been dropped

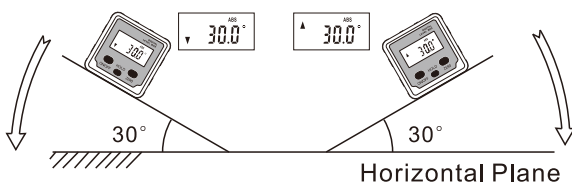
- (1) Place the digital level on a flat and smooth surface, press button **ON/OFF** and button **ZERO** at the same time, the calibration mode is activated and "-1-" will be displayed.
- (2) Press button **ON/OFF** again, "-1-" will flash briefly. Do not move until "-2-" display
- (3) Rotate it 180° in the same location and press button **ON/OFF**, "-2-" will flash briefly. Do not move until the unit has completed the calibration.
- (4) Calibration is done. The angle be displayed on the unit is the angle between the calibrated plane and the horizontal plane.

* display the angle between the calibration plane and water level



▼▲ ICON FUNCTION

Symbol ▼▲ showing how to adjust the surface to be leveled



Battery Installation

1. Make sure the digital angle locator is turned off.
2. Remove the battery compartment cover
3. Install the new battery following the polarity indication
4. Replace the battery cover

Note: Always remove the battery before storing the instrument.