



## INSTRUCTIONS FOR USE – SPREADING CART (45085)

High durability in use  
Medium size of the hopper which has a volume of **14 l**  
The width of sowing material is 45 cm  
10 positions to adjust the amount of smooth spreading.

Easily swivel wheels for stability and maneuverability.  
Both wheels are connected to a rotating shaft enabling parallel operation and uniform spreading of the material.  
Very comfortable handle allows easy and precise control of the cart.  
Protective plate reduces the load on the rotating shaft, which ensures easy rotation and accurate handing in (filling) material.



### **All year-round use**

It is used for spreading grass seed, sand and fertilizer from spring to autumn and winter sanding and salt against ice.

### **Operation**

Sifter material can be evenly spread out without difficulty. Before filling material for sowing, first set the control lever to the 0 position and then select the needed amount on a scale controller.

### **Maintenance**

Rinse pushcart with water after each use and allow to dry. Store in a clean, dry place.

### **INSTALLATION**

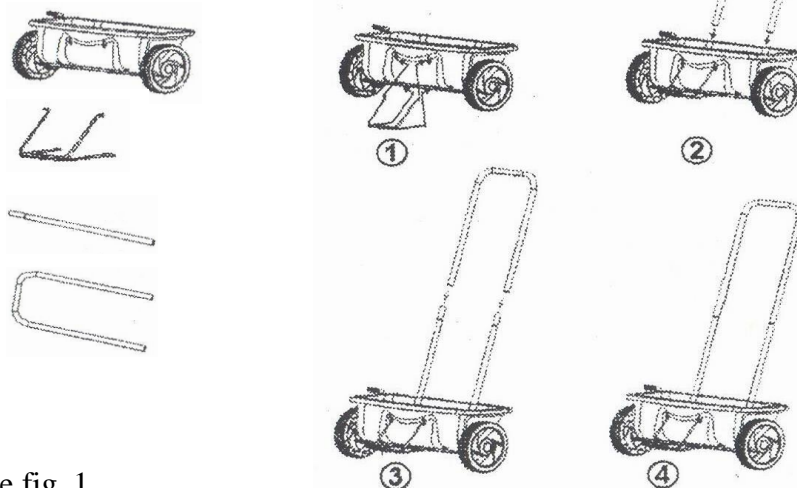
Parts List:

A - storage trolley / 1 pc /

- Holder / 1 pc /

C - aluminum pole 1 / 2 pc /

D - aluminum pole 2 / 1 pc /



### **Installation steps:**

1. Attach bracket / B / to cart / A / see fig. 1
2. Attach both aluminum poles 1 / C / to cart / A / see fig. 2
3. 2. Attach aluminum pole 2 / D / with aluminum pole 1 / C / see fig. 3
4. Finishing adjustment of spreading cart see fig. 4

### **IMPORTANT:**

To prevent damage to the product store the screws and gears inside the package.

Please carefully review the contents of the package before use.

To ease installation, read the instructions from start to finish before beginning installation to proceed.

Do not tighten screws fully until you are sure that all the parts are assembled.

**SUPPLIER: LEVIOR s.r.o.**